

NSK-RH Linear Table



FEATURES

- **Motorless Design**
- **Stroke Length: 300-2000mm**
- **Ball Screw Lead: 10-40mm**
- **Payload up to 200kg**
- **Backlash: 0.005mm**
- **NEMA and Metric Motor Compatible**
- **Fully Covered Aluminum Casing with Belts to Eliminate Contaminates**
- **Optional Limit Sensor, Module Mounting Plates, and Motor Mounting Kits**

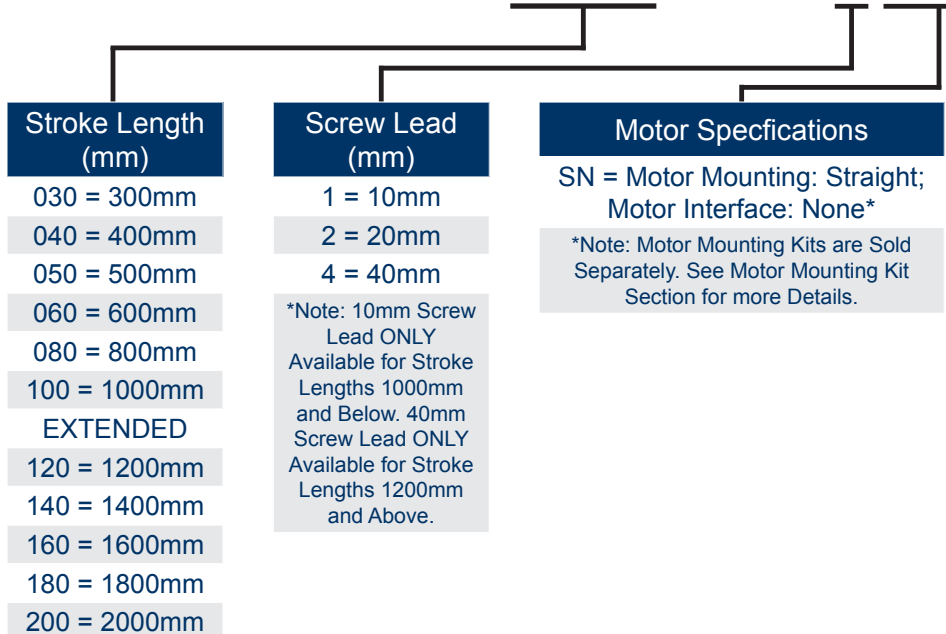


DESCRIPTION

Anaheim Automation offers a line of top-quality linear tables, supplied by one of the industry's leading manufacturers, NSK. These linear tables offer high precision, unsurpassed performance, and maintenance-free operation for as long as 5 years or 50,000km. The NSK-RH Linear Table series is offered stroke lengths up to 2000mm, ball screw lead of 10, 20, and 40mm, and payloads up to 200kg. Optional sensor kits and module mounting plates are available as customization options. Anaheim Automation is happy to assist in the selection, installation, and troubleshooting of these linear tables; contact one of our Applications Engineers for information.

ORDERING INFORMATION

NSK-XY-HRS030-RH2SNF



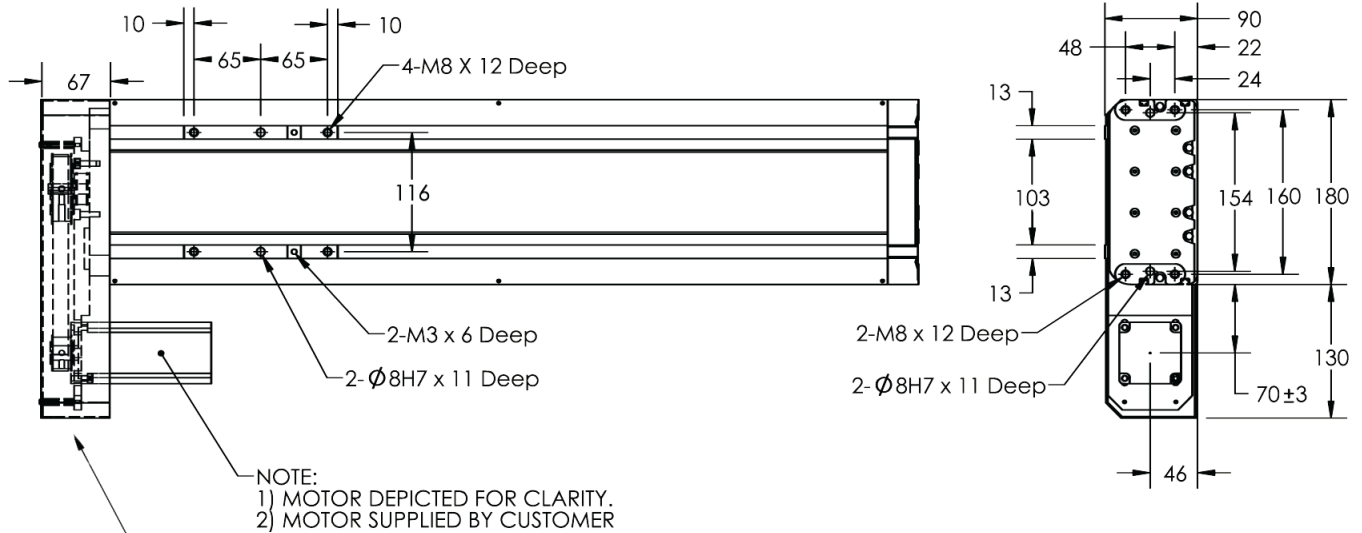
L011136

RM Module													
Reference Number	Nominal Stroke, (mm)	Stroke Limit +/- (2mm)	Ballcrew Lead, (mm)	L (mm)	SA (mm)	SB (mm)	Speed Max (mm/s)	Inertia (kg-m ²)	Breakaway Torque, (N-m)	Mass (Kg)	Payload (kg)		Backlash, (mm)
											Horiz.	Vert.	
NSK-XY-HRS030-RH1SNF	300	310	10	612	100	190	778	4.12E-05	0.7	18	200	40	0.005
NSK-XY-HRS030-RH2SNF	300	310	20	612	100	190	1556	7.12E-05	1.3	17	80	20	0.005
NSK-XY-HRS040-RH1SNF	400	410	10	712	200	240	778	4.51E-05	0.7	20	200	40	0.005
NSK-XY-HRS040-RH2SNF	400	410	20	712	200	240	1556	7.51E-05	1.3	19	80	20	0.005
NSK-XY-HRS050-RH1SNF	500	510	10	812	300	290	778	4.90E-05	0.7	22	200	40	0.005
NSK-XY-HRS050-RH2SNF	500	510	20	812	300	290	1556	7.90E-05	1.3	21	80	20	0.005
NSK-XY-HRS060-RH1SNF	600	610	10	912	400	340	778	5.29E-05	0.7	24	200	40	0.005
NSK-XY-HRS060-RH2SNF	600	610	20	912	400	340	1556	8.29E-05	1.3	23	80	20	0.005
NSK-XY-HRS080-RH1SNF	800	810	10	1112	600	440	671	6.07E-05	0.7	28	200	40	0.005
NSK-XY-HRS080-RH2SNF	800	810	20	1112	600	440	1341	9.07E-05	1.3	27	80	20	0.005
NSK-XY-HRS100-RH1SNF	1000	1010	10	1312	800	540	583	1.72E-04	0.7	33	200	40	0.005
NSK-XY-HRS100-RH2SNF	1000	1010	20	1312	800	540	1167	2.02E-04	1.3	32	80	20	0.005
NSK-XY-HRS120-RH1SNF	1200	1210	20	1548	1000	640	837	1.46E-04	1.3	41	200	40	0.005
NSK-XY-HRS120-RH2SNF	1200	1210	40	1548	1000	640	1673	1.76E-04	1.9	40	80	20	0.005
NSK-XY-HRS140-RH1SNF	1400	1410	20	1748	1200	740	617	1.70E-04	1.3	45	200	40	0.005
NSK-XY-HRS140-RH2SNF	1400	1410	40	1748	1200	740	1235	2.00E-04	1.9	44	80	20	0.005
NSK-XY-HRS160-RH1SNF	1600	1610	20	1948	1400	840	474	1.95E-04	1.3	50	200	40	0.005
NSK-XY-HRS160-RH2SNF	1600	1610	40	1948	1400	840	949	2.25E-04	1.9	49	80	20	0.005
NSK-XY-HRS180-RH1SNF	1800	1810	20	2148	1600	940	376	2.20E-04	1.3	54	200	40	0.005
NSK-XY-HRS180-RH2SNF	1800	1810	40	2148	1600	940	751	2.50E-04	1.9	53	80	20	0.005
NSK-XY-HRS200-RH1SNF	2000	2010	20	2348	1800	1040	305	2.44E-04	1.3	58	200	40	0.005
NSK-XY-HRS200-RH2SNF	2000	2010	40	2348	1800	1040	610	2.74E-04	1.9	57	80	20	0.005

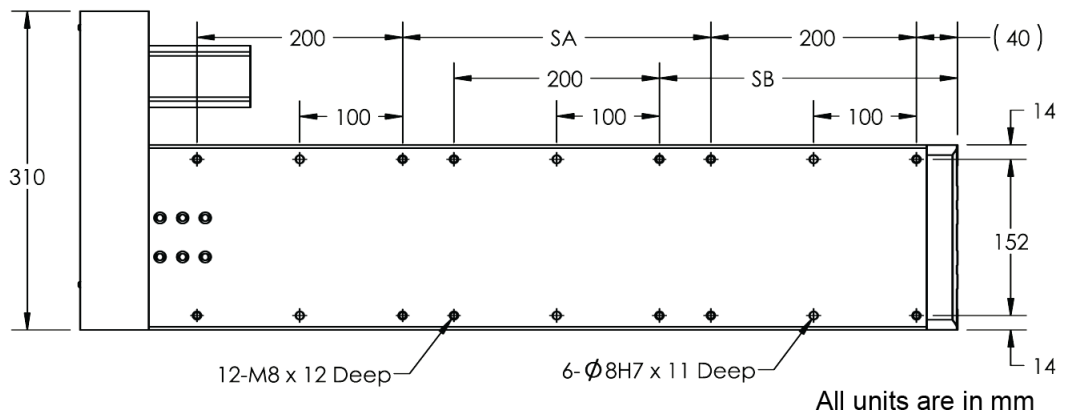
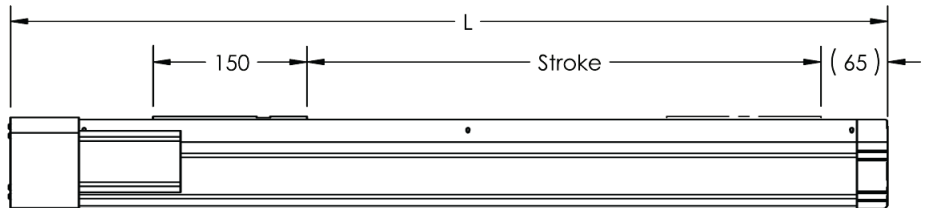
Linear Guide Moment Capacities (Nm)		
Rolling Moment	Pitching Moment	Yawing Moment
70	120	120

RH Extended Module: Stroke Length $\geq 1200\text{mm}$

DIMENSIONS



NOTE:
 1) MOTOR ADAPTER KIT SHOWN INSTALLED FOR CLARITY.
 2) MOTOR ADAPTER KIT SOLD SEPARATELY.

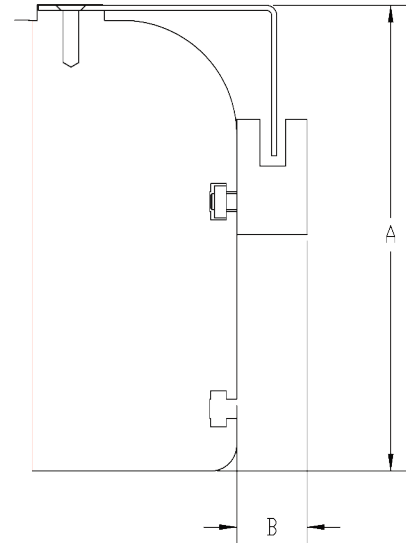




Limit Sensor Kit:

RH Module: NSK-XY-L3542RM

- Qty 1 - Module Limit Sensor Flag (H)
- Qty 3 - Limit Sensor (Omron EE-SX672A)
- Qty 3 - Limit Sensor Cable with Connector, 2m long (Omron EE-1010-R2M)
- Qty 3 - Limit Sensor T-Slot
- Qty 6 - M3 x 8 Socket Head Cap Screw
- Qty 1 - M3 x 6 Flat Head Screw

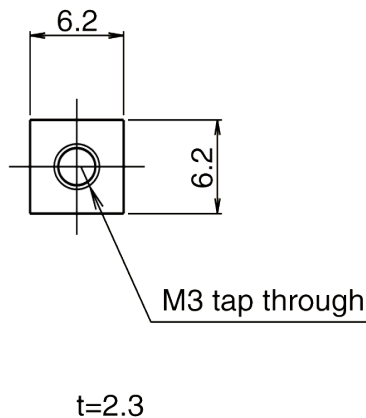


MODULE CROSS SECTION		
	Dimension A	Dimension B
RH MODULE	90mm	14mm

Square Nut:

NSK-XY-P170M3-1

- This nut is used to secure accessories to the side of the module
- Nuts are supplied in sets of 4





Note: The RH Module does not come installed with a Metric or NEMA motor mount based on X-Axis Motor Specifications. Choose from of the options below.

RH MODULES - STROKE LENGTHS ≤ 1000mm:

NSK-XY-P5586RM - NEMA 23 1/4" Motor Kit

- NEMA 23 Motor Adapter Ring
- Jaw Type Shaft Coupling, 10mm x 1/4" x 47.6mm
- Disk Type Shaft Coupling, 10mm x 1/4" x 44.5mm
- Qty 4, M4 x 8 Socket Head Cap Screw

NSK-XY-P5718RM - NEMA 34 1/2" Motor Kit

- NEMA 34 Motor Adapter Ring
- Jaw Type Shaft Coupling, 10mm x 1/2" x 47.6mm
- Disk Type Shaft Coupling, 10mm x 1/2" x 44.5mm
- Qty 4, M5 x 16 Socket Head Cap Screw

NSK-XY-P5587RM - NEMA 34 3/8" Motor Kit

- NEMA 34 Motor Adapter Ring
- Jaw Type Shaft Coupling, 10mm x 3/8" x 47.6mm
- Disk Type Shaft Coupling, 10mm x 3/8" x 44.5mm
- Qty 4, M5 x 16 Socket Head Cap Screw

NSK-XY-P5717RM - NEMA 23 3/8" Motor Kit

- NEMA 23 Motor Adapter Ring
- Jaw Type Shaft Coupling, 10mm x 3/8" x 47.6mm
- Disk Type Shaft Coupling, 10mm x 3/8" x 44.5mm
- Qty 4, M4 x 8 Socket Head Cap Screw

NSK-XY-P5588RM - 60mm Frame Metric Motor Kit

- Jaw Type Shaft Coupling, 10mm x 14mm x 47.6mm
- Disk Type Shaft Coupling, 10mm x 14mm x 44.5mm
- Qty 4, M5 x 16 Socket Head Cap Screw

RH MODULES - STROKE LENGTHS \geq 1200mm:

**NSK-XY-P5743RM - NEMA 23,
1:1 Pulley Ratio Motor Kit**

- NEMA 23 Motor Mounting Plate
- NEMA 23 Motor Mounting Nut Plate
- Belt Cover
- Qty 4, M3 Hex Standoff
- Motor Pulley, 1/4" ID, 31.83 PD
- Motor Pulley, 3/8" ID, 31.83 PD
- Ballscrew Pulley, 10mm ID, 31.83 PD
- Timing Belt
- Assorted Fasteners

**NSK-XY-P5745RM - NEMA 34,
1:1 Pulley Ratio Motor Kit**

- NEMA 34 Motor Mounting Plate
- NEMA 34 Motor Mounting Nut Plate
- Belt Cover
- Qty 4, M3 Hex Standoff
- Motor Pulley, 3/8" ID, 31.83 PD
- Motor Pulley, 1/2" ID, 31.83 PD
- Ballscrew Pulley, 10mm ID, 31.83 PD
- Timing Belt
- Assorted Fasteners

NSK-XY-P5747RM - 60mm Frame Metric Motor, 1:1 Pulley Ratio Motor Kit

- Metric Motor Mounting Plate
- Nut Plate, Metric Motor
- Belt Cover
- Qty 4, M3 Hex Standoff
- Motor Pulley, 14mm ID, 31.83 PD
- Ballscrew Pulley, 10mm ID, 31.83 PD
- Timing Belt
- Assorted Fasteners

NSK-XY-P5747RM - 60mm Frame Metric Motor, 2:1 Pulley Ratio Motor Kit

- Metric Motor Mounting Plate
- Nut Plate, Metric Motor
- Belt Cover
- Qty 4, M3 Hex Standoff
- Motor Pulley, 14mm ID, 31.83 PD
- Ballscrew Pulley, 10mm ID, 63.66 PD
- Timing Belt
- Assorted Fasteners

**NSK-XY-P5744RM - NEMA 23,
2:1 Pulley Ratio Motor Kit**

- NEMA 23 Motor Mounting Plate
- NEMA 23 Motor Mounting Nut Plate
- Belt Cover
- Qty 4, M3 Hex Standoff
- Motor Pulley, 1/4" ID, 31.83 PD
- Motor Pulley, 3/8" ID, 31.83 PD
- Ballscrew Pulley, 10mm ID, 63.66 PD
- Timing Belt
- Assorted Fasteners

**NSK-XY-P5746RM - NEMA 34,
2:1 Pulley Ratio Motor Kit**

- NEMA 34 Motor Mounting Plate
- NEMA 34 Motor Mounting Nut Plate
- Belt Cover
- Qty 4, M3 Hex Standoff
- Motor Pulley, 3/8" ID, 31.83 PD
- Motor Pulley, 1/2" ID, 31.83 PD
- Ballscrew Pulley, 10mm ID, 63.66 PD
- Timing Belt
- Assorted Fasteners